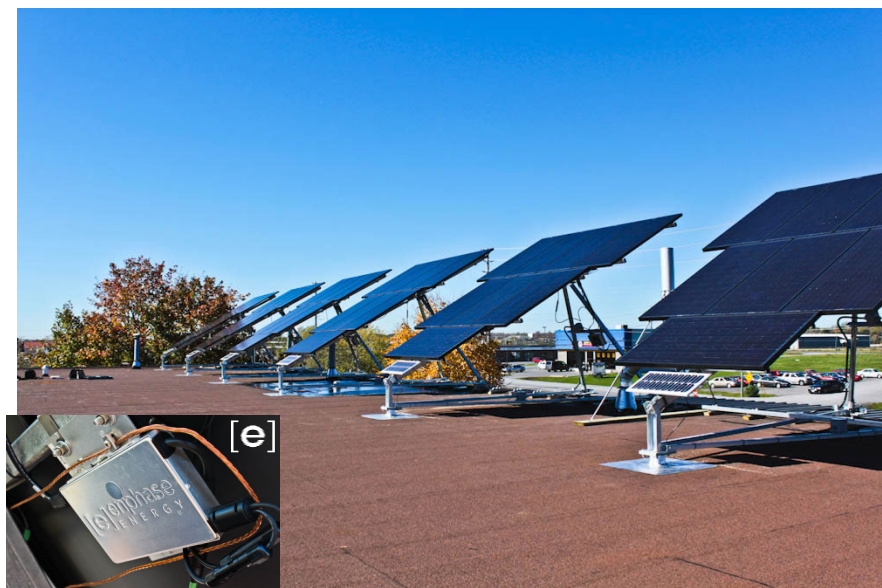


ETATRACK active 1000

Single-axis Tracking System for Schüco Modules

Main Features

- total module surface up to c. 10.5m²
- no failure-prone light sensor
- no unnecessary tracking movements
- low power consumption (c. 1 kWh/year)
- statics according to German and European standards
- high reliability and life-expectancy
- maintenance-free
- cost-efficient tracking system
- enphase ready - model M190
- no AC power required



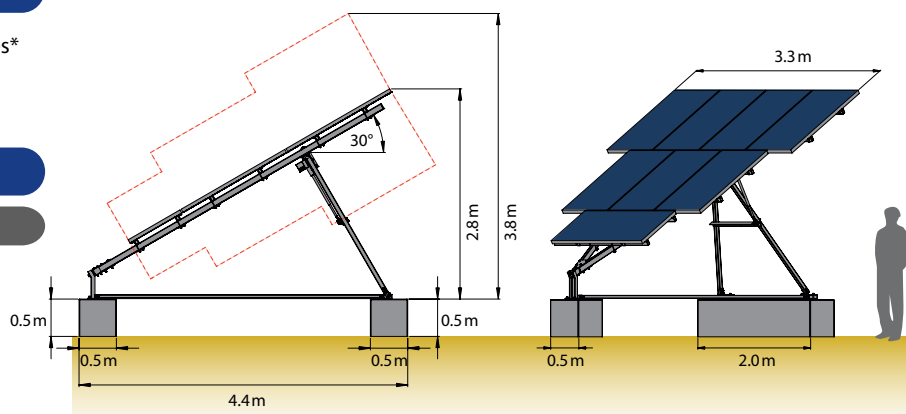
Application

- single-axis tracking system for PV modules*
- additional energy yield of up to 40% compared to fixed installations

Design

Tracking Unit

- single-axis tracking system
- angle of second axis 30°, fixed (other angles on request)
- elevation East-West: 90°
- module surface up to c. 10.5m²
max. dimensions of mounted frames (supportive area, installation area PV modules): width: upper row: 3.3m, middle row: 2.5m, lower row: 1.5m, height over all rows: 3.7m
- frame and supports: steel, hot-dip Zn-coated
- screw set: steel, Zn-coated
- module clamps made of stainless steel for mounting the PV modules using the holes in the module frame, incl. M6 stainless steel screw kits
- suitable for high wind speeds: statics according to German and European standards
- low energy consumption c. 1 kWh/year
- maintenance-free



Example: system dimensions with 8 PV modules, c. 1.6m x 0.8m

Control

- electronics incl. battery in weatherproof housing
- supply voltage: 12VDC (nominal voltage) up to 50Voc (open-circuit voltage), by one of the tracked modules**
- stepwise tracking, depending on the daily sunshine duration (length of day)
- South position in darkness
- synchronisation of multiple units possible

Drive

- DC linear drive
- maintenance-free

Foundation

- concrete foundation with steel reinforcement, front foundation min. 0.1m³, rear foundation min. 0.5m³

Included in Delivery

- kit tracking unit
- module clamps (cf. design): 48 sets per tracking unit for 12 PV modules in upright position and 4 sets for one PV module for lengthwise installation
- control
- drive
- installation manual

* for framed PV modules according to IEC 61215, UL 1703

** For safe operation in specific system designs, an additional small module might be necessary. Cf. installation manual.